

# Mobile Radio High Gain Panel Mount Antenna

AVGHB

28/01/2016 v3

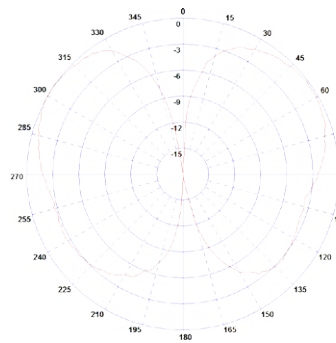


- High gain
- Rugged construction
- Hinged base and removable radiator

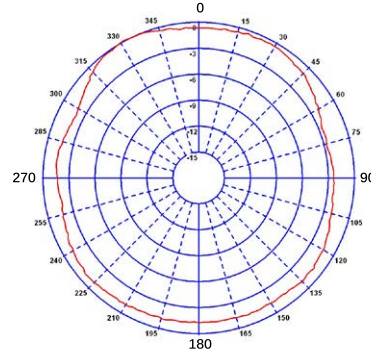
The AVGHB range is a durable roof mounted solution for vehicle installations requiring gain at VHF frequencies. The antenna offers 5dBi gain thanks to a fully encapsulated base loading coil.

The radiator is fabricated from high quality 17-7PH stainless steel and can be removed for low clearances or car washes. The antenna is compatible with the full range of Panorama Antennas Ltd modular bases and features a convenient hinge mounting.

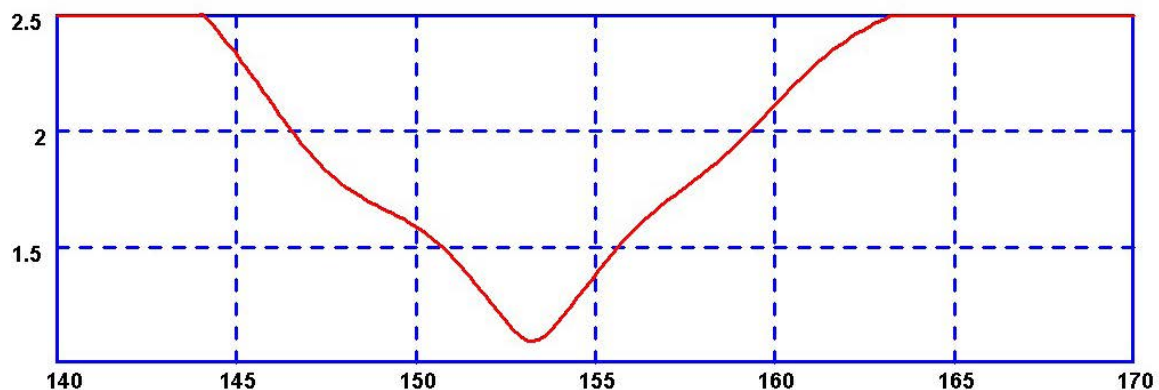
Typical E-Plane



Typical H-Plane

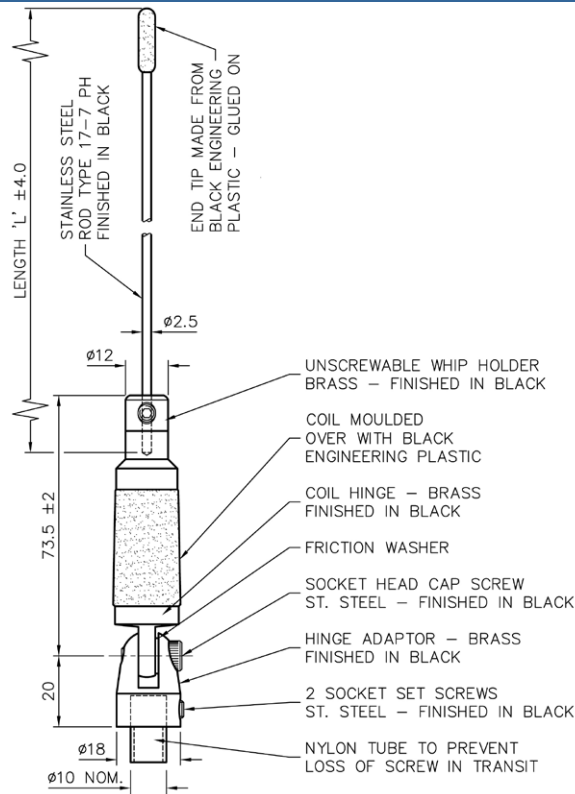


Typical VSWR\*



\*Measured on a 1m x 1m (3.3ft x 3.3ft) Groundplane with 5m of CS23 cable.

## Technical Specification



### Part Number

AVGHB [uncut]      AVGHB-H4      AVGHB-H5      AVGHB-H6      AVGHB-H7

### Electrical Data

Frequency Range (MHz)	-	141-151	149-159	156-162	162-174
Peak Gain: Isotropic	5dBi	5dBi	5dBi	5dBi	5dBi
Compared to $\frac{1}{4}$ wave	3dB	3dB	3dB	3dB	3dB
Bandwidth @ 2:1 VSWR	10%	10%	10%	10%	10%
Polarisation	Vertical	Vertical	Vertical	Vertical	Vertical
Pattern	Omni Directional	Omni Directional	Omni Directional	Omni Directional	Omni Directional
Impedance	50 $\Omega$	50 $\Omega$	50 $\Omega$	50 $\Omega$	50 $\Omega$
Max Input Power (W)	50	50	50	50	50

### Mechanical Data

Dimensions (mm)	Total Height	1579 (5.2')	1417 (4.7')	1339 (4.4')	1294 (4.2')	1215 (4')
	Base Diameter	18 (1.5")	18 (1.5")	18 (1.5")	18 (1.5")	18 (1.5")
Operating Temp (°C)	-40° / +80°C (-40°/176°F)	-40° / +80°C (-40°/176°F)	-40° / +80°C (-40°/176°F)	-40° / +80°C (-40°/176°F)	-40° / +80°C (-40°/176°F)	-40° / +80°C (-40°/176°F)
Material	Stainless steel & engineering plastic	Stainless steel & engineering plastic	Stainless steel & engineering plastic	Stainless steel & engineering plastic	Stainless steel & engineering plastic	Stainless steel & engineering plastic
Colour	Black	Black	Black	Black	Black	Black

Waiver: The data given above is indicative of the performance of the product/s under particular conditions and does not imply a guarantee of performance. These specifications are subject to change without notice. Copyright © Panorama Antennas Ltd. All rights reserved.

**PANORAMA ANTENNAS**

Panorama Antennas Ltd  
Frogmore, London, SW18 1HF, United Kingdom

T: +44 (0)20 8877 4444  
F: +44 (0)20 8877 4477  
E: sales@panorama-antennas.com  
www.panorama-antennas.com